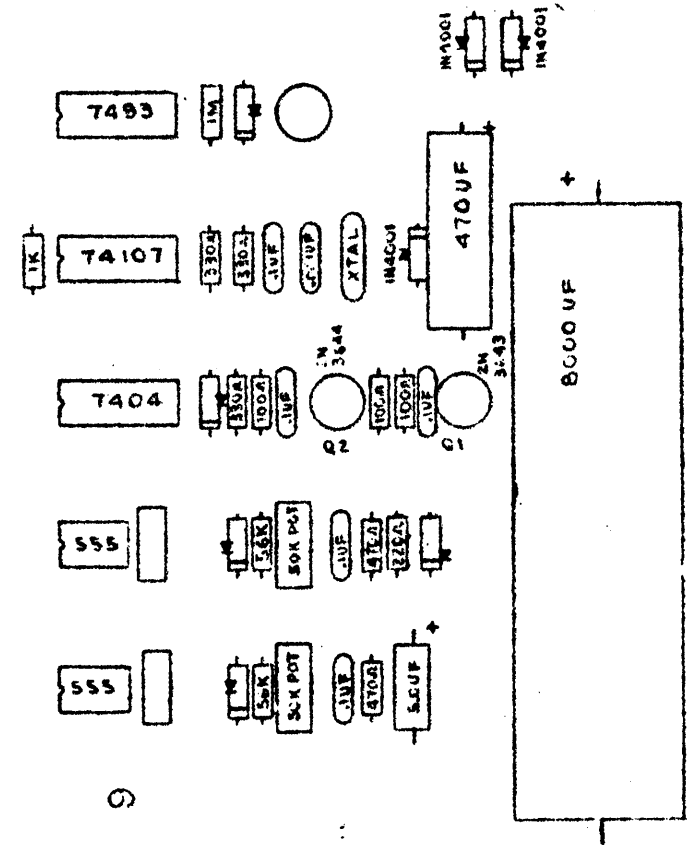
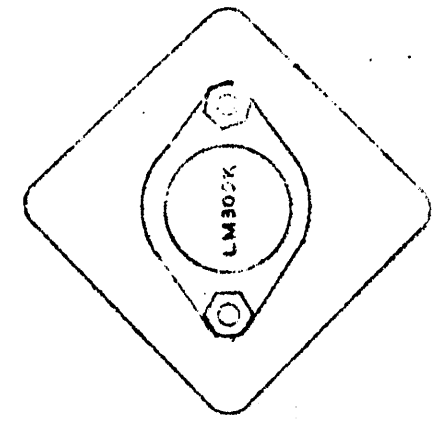
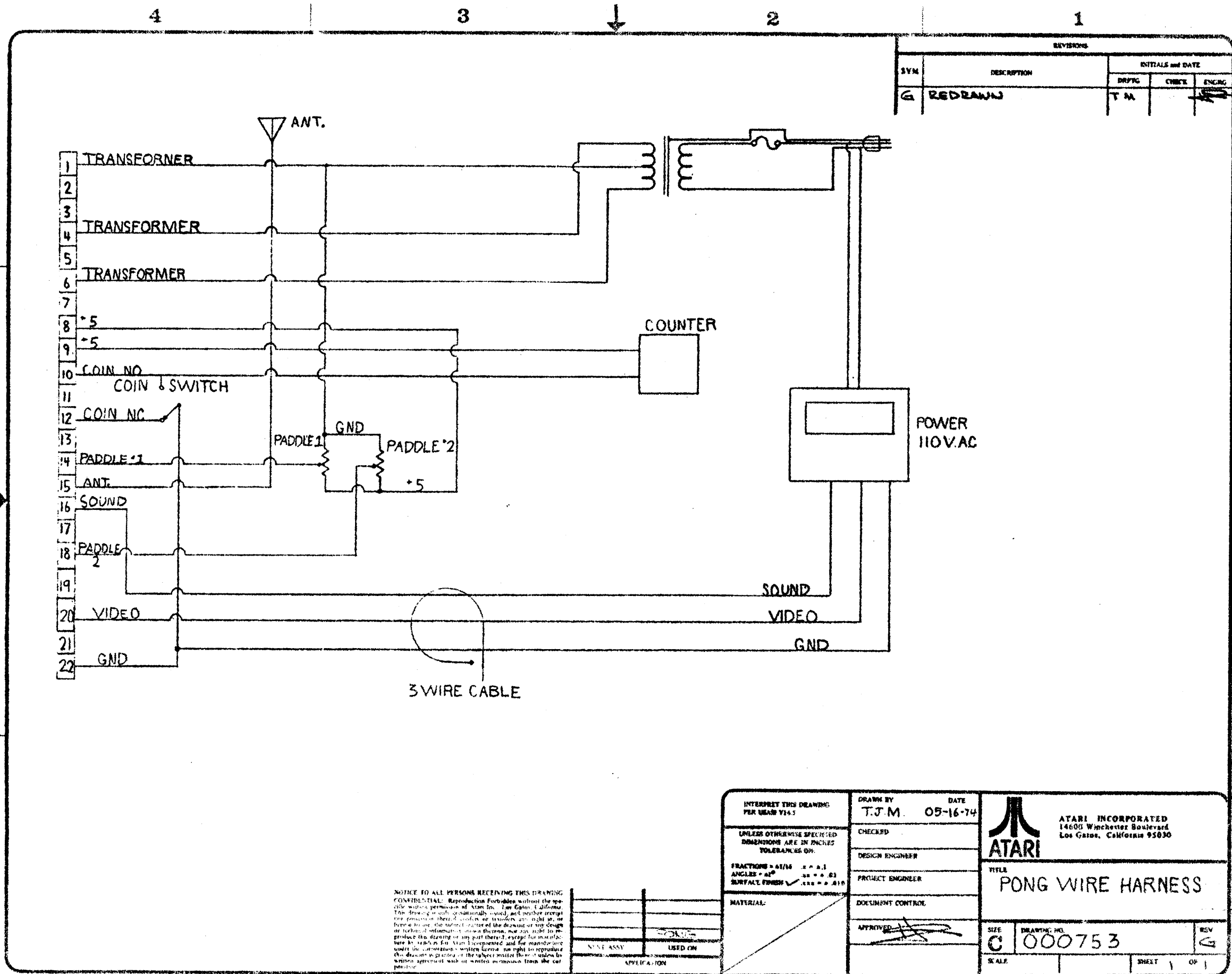


	.1UF	.1UF	.1UF	.1UF	.1UF	.1UF	.1UF	.1UF	.1UF
H	7400	74107	7474	7400	7400	7420	9316		
G	7402	7427 RE75	740C	220N 555 1UF 1.0UF	741C	74107	9316		
F	7493	7425	74107	30K 555 50UF	74C2	74107	7430	7493	7493
E	7400	741C	7427 8675	2.2K 1K 7404	7427 8675	740C	7474	7493	7493
D	7404	74C2	7430	1.5K 7410	7410	74153	7490	7410	74107
C	740C	7474	7400	7410	7448	74153	7490	74107	7404
B		7400	9316	1UF 7483	7474	7450	7400	7493	555
A	PONG SYZYZY E	74107	9316	1UF 7486	7474	7450	7420	7493	555
	1	2	3	4	5	6	7	8	9



A001433
RU E



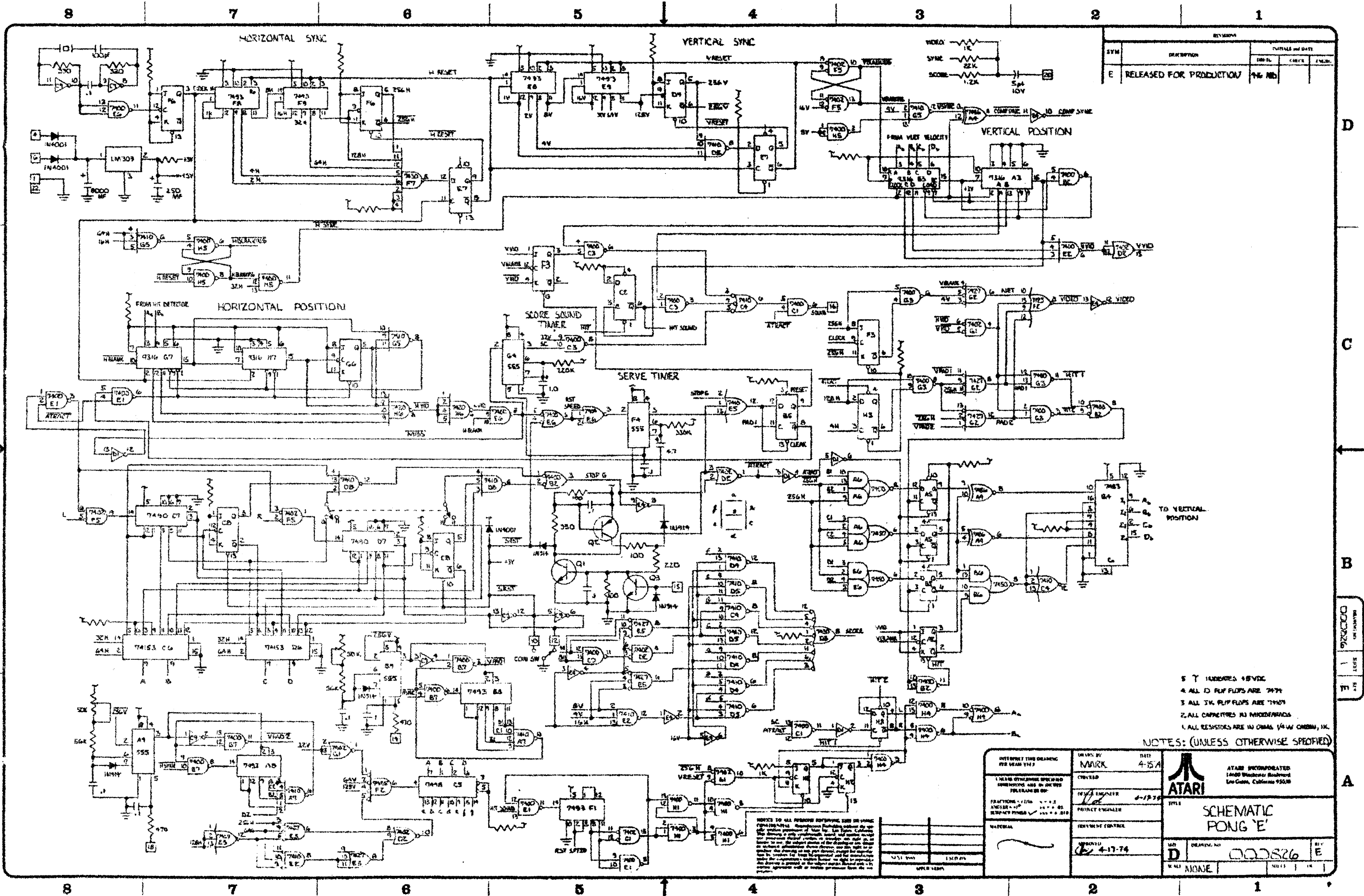
REVISIONS				
SYM	DESCRIPTION	INITIALS and DATE		
		DRFTG	CHECK	ENGRG
G	REDRAWN	T.M.		

DRAWING NO. 000753
 SHEET 1 OF 1

NOTICE TO ALL PERSONS RECEIVING THIS DRAWING
 CONFIDENTIAL: Reproduction Forbidden without the specific written permission of Atari Inc. Atari Games Corporation. This drawing is only for internal use and is not to be distributed outside of Atari Inc. without the specific written permission of Atari Inc. Atari Games Corporation. This drawing is not to be used for any other purpose without the specific written permission of Atari Inc. Atari Games Corporation. This drawing is not to be used for any other purpose without the specific written permission of Atari Inc. Atari Games Corporation.

DATE	BY	DESCRIPTION

INTERPRET THIS DRAWING PER USAS 714.3 UNLESS OTHERWISE SPECIFIED DIMENSIONS ARE IN INCHES TOLERANCES ON: FRACTIONS ± 0.1/16 ANGLES ± 0.1° SURFACE FINISH ✓	DRAWN BY T.J.M.	DATE 05-16-74	ATARI INCORPORATED 14600 Winchester Boulevard Los Gatos, California 95030
MATERIAL:	CHECKED	DESIGN ENGINEER	
	PROJECT ENGINEER	DOCUMENT CONTROL	
	APPROVED		
TITLE PONG WIRE HARNESS			SIZE C
APPLICATION			DRAWING NO. 000753
SCALE			SHEET 1 OF 1



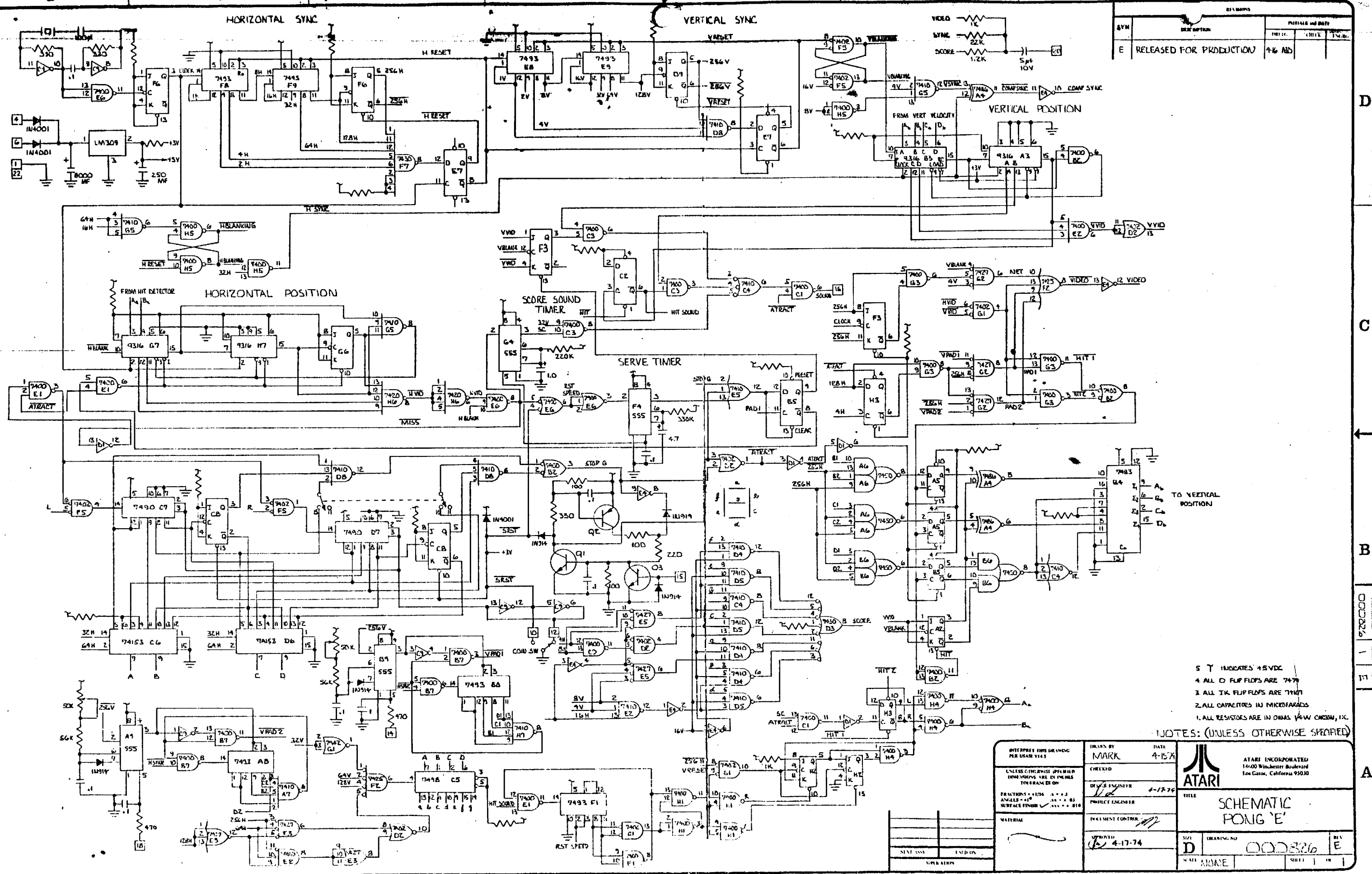
REVISION		
SYM	DESCRIPTION	DATE
E	RELEASED FOR PRODUCTION	4-17-74

- 5 T INDICATES 4.5VDC
- 4 ALL D FLIP FLOPS ARE 7474
- 3 ALL JK FLIP FLOPS ARE 7410
- 2 ALL CAPACITORS IN MICROFARADS
- 1 ALL RESISTORS ARE IN OHMS (1/4W OHMM, 1K)

NOTES: (UNLESS OTHERWISE SPECIFIED)

INTERPRET THIS DRAWING FOR BOARD FAB 1. ALL DIMENSIONS SHOWN UNLESS OTHERWISE SPECIFIED 2. ALL DIMENSIONS ARE IN INCHES UNLESS OTHERWISE SPECIFIED 3. ALL DIMENSIONS ARE IN MILLIMETERS UNLESS OTHERWISE SPECIFIED 4. ALL DIMENSIONS ARE IN INCHES UNLESS OTHERWISE SPECIFIED 5. ALL DIMENSIONS ARE IN MILLIMETERS UNLESS OTHERWISE SPECIFIED	DRAWN BY: MARK DATE: 4-15-74 CHECKED: [Signature] DESIGNED BY: [Signature] PROJECT ENGINEER: [Signature] MATERIAL: [Signature] APPROVED BY: [Signature] DATE: 4-17-74	ATARI INCORPORATED 1400 Woodside Boulevard Los Gatos, California 95030 ATARI TITLE: SCHEMATIC PONG 'E' DR: D DRAWING NO: 000826 BY: E
--	--	---

NOTES TO ALL PERSONS SERVING THE BOARD: THIS BOARD IS A TRADE SECRET AND IS THE PROPERTY OF ATARI INCORPORATED. IT IS TO BE KEPT IN STRICT CONFIDENCE AND IS NOT TO BE REPRODUCED OR DISCLOSED IN ANY MANNER WITHOUT THE WRITTEN PERMISSION OF ATARI INCORPORATED. ANY VIOLATION OF THIS NOTICE WILL BE CONSIDERED A BREACH OF CONTRACT AND WILL BE PROSECUTED TO THE FULL EXTENT OF THE LAW.



REV. HISTORY		INITIALS AND DATE	
REV.	DESCRIPTION	INITIALS	DATE
1	RELEASED FOR PRODUCTION	4/6/74	AB

- NOTES: (UNLESS OTHERWISE SPECIFIED)
- 5 T INDICATES +5VDC
 - ALL D FLIP FLOPS ARE 7497
 - ALL JK FLIP FLOPS ARE 74101
 - ALL CAPACITORS IN MICROFARADS
 - ALL RESISTORS ARE IN OHMS UNLESS OTHERWISE SPECIFIED

INTERPRET THIS DRAWING PER USER'S VIEW UNLESS OTHERWISE SPECIFIED DIMENSIONS ARE IN INCHES UNLESS OTHERWISE SPECIFIED	DRAWN BY: MARK CHECKED: [Signature] DATE: 4-15-74 DESIGNED BY: [Signature] 4-17-74 PROJECT ENGINEER: [Signature]	ATARI INCORPORATED 14100 Winchester Boulevard Los Gatos, California 95030
MATERIAL	INSTRUMENT CONTROL: [Signature]	TITLE: SCHEMATIC PONG 'E'
DATE: 4-17-74	DRWING NO: 000326	REV: E